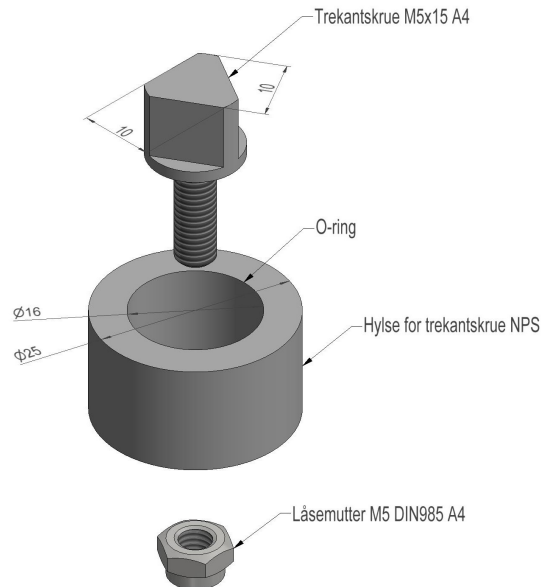


## 2864756 - Triangle lock TL



Description	Triangle lock for our neutral point surge arrester. To be used for safety reasons.
Unit	PSC
Weight	0,03 kg