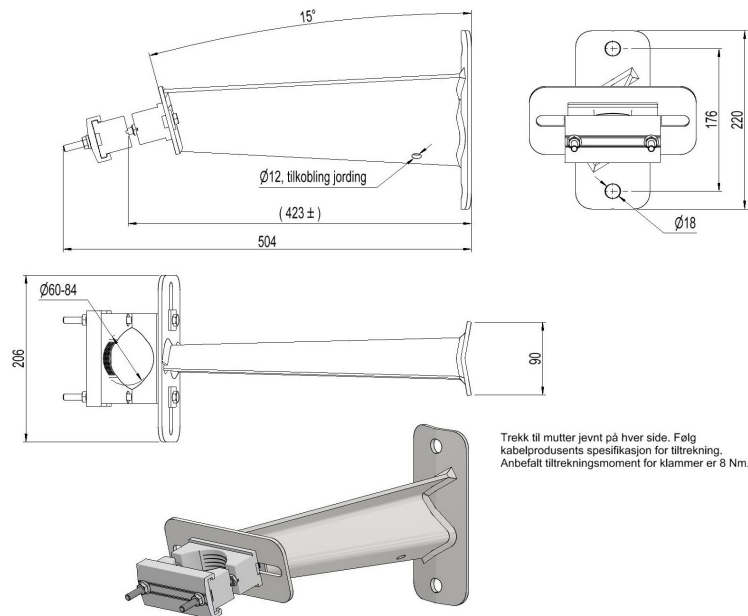


2858411 - Cable bracket KKLF160-15



Description	Steel bracket for 1 cable, clamp Ø60-84mm. Reinforced version with 15° angle.
Unit	PSC
Weight	4 kg
Material	Polyethylene
Material-2	Steel galvanised
Number of cables	1psc
Suitable for cable diameter	Ø60-84mm