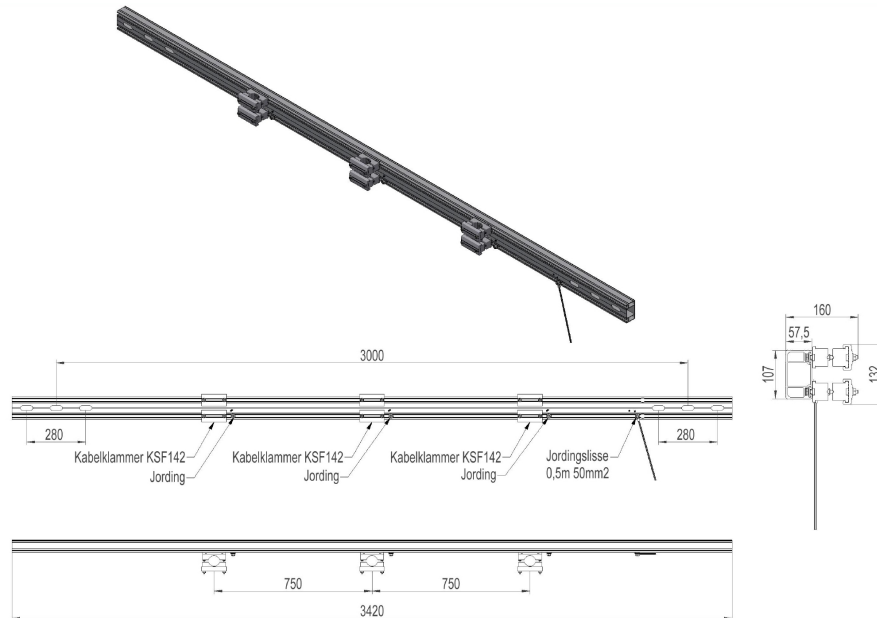


## 2857888 - Cable crossbar TH342-375



Description	Cable crossbar 2-pole for 3 cables Ø42-60mm. Pole distance 3m, phase distance adjustable. With cable clamps and fasteners.
Unit	PSC
Weight	15,7 kg
Material	Aluminium, anodised-brown
Crossarm type	H/A-pole
Pole distance	3m
Phase distance	0,75m
Crossbar profile	P1 (57,5x107)
Number of cables	3pcs
Suitable for cable diameter	Ø42-60mm