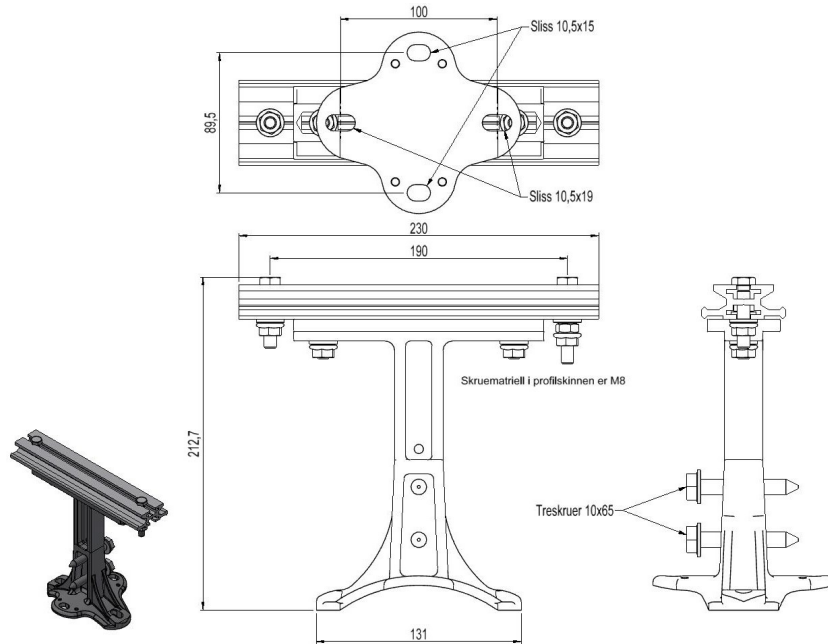


2857869 - Pole bracket UNI-SF



Description	Pole bracket for UNI-cabinets
Unit	PSC
Weight	1,1 kg
Material	Aluminium, anodised-brown
Material-2	Polyethylene