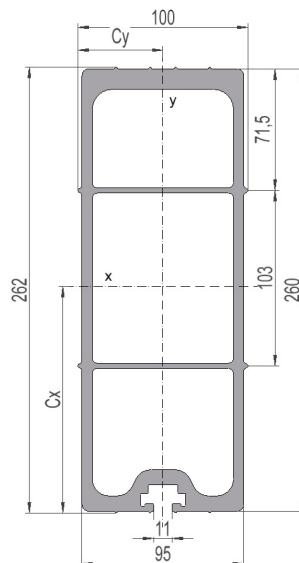


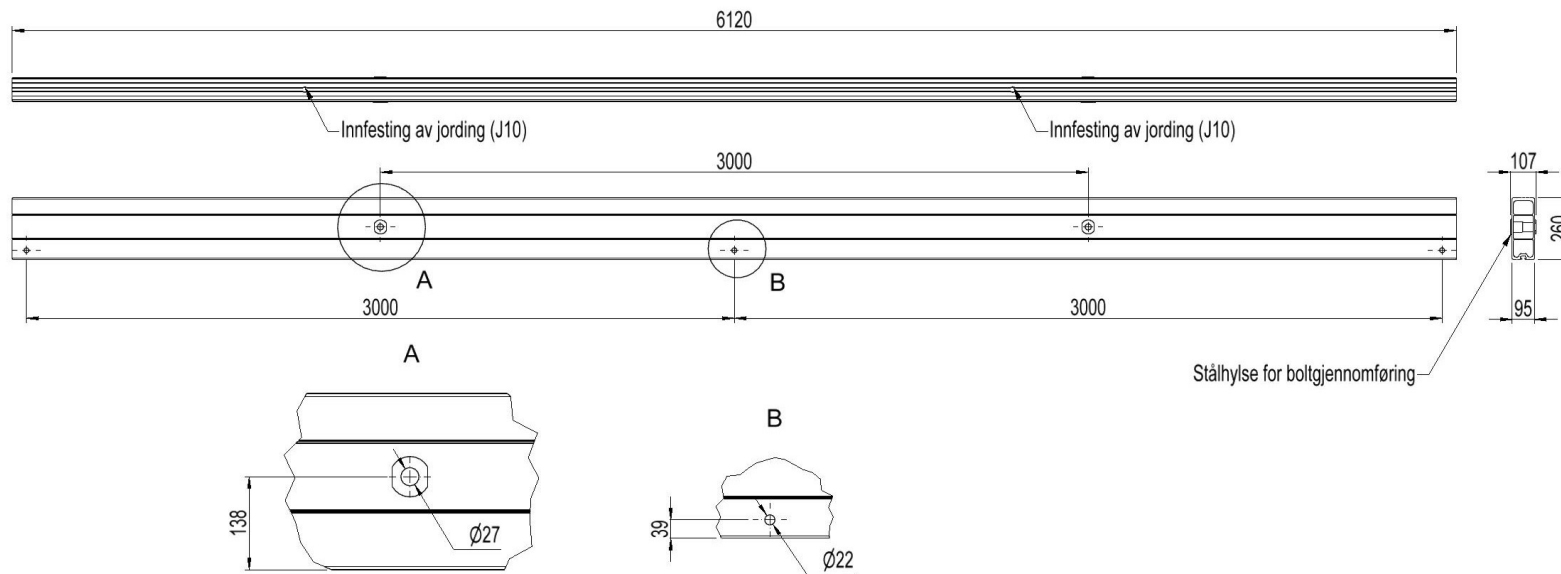
2857865 - Load-bearing crossbar T3030BH-9S

Cross arm type	H-pole
Pole distance	3m
Phase distance	3m
Pole fastening	Bolt with bolt sleeve

Crossbar profile P9 (standing)

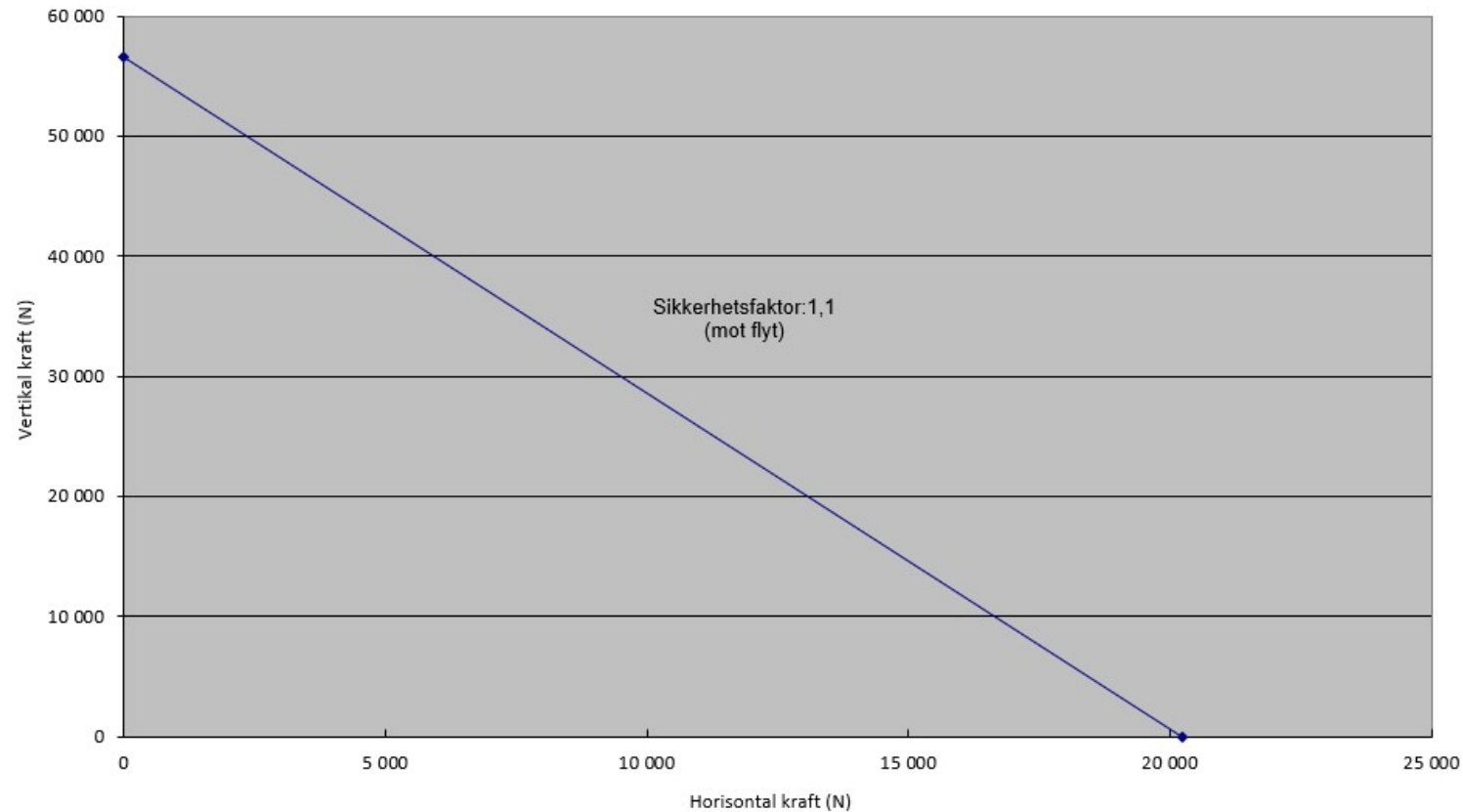
Weight: (kg/m)	15.455
Cross section: (mm ²)	5724
Material:	Extruded aluminum, brown anodized
Alloy:	AlMgSi 6082-T6
Moment of resistance: (mm ³)	W _x = 373 840 W _y = 154 772
Area moment of inertia: (mm ⁴)	I _x = 49 796 982 I _y = 7 738 580
Center distance for I _x : (mm)	C _x = 133,20
Center distance for I _y : (mm)	C _y = 50,00
Minimum yield strength 0,2: (N/mm ²)	250
Minimum breaking load: (N/mm ²)	290





Lastdiagram m.h.p flytegrense

(Kompensert for slisshull, tverrkrefter og skjevlast er ikke medregnet)



Total nedbøyning travers mot vertikal last

— Vertikal last i forhold til nedbøyning

