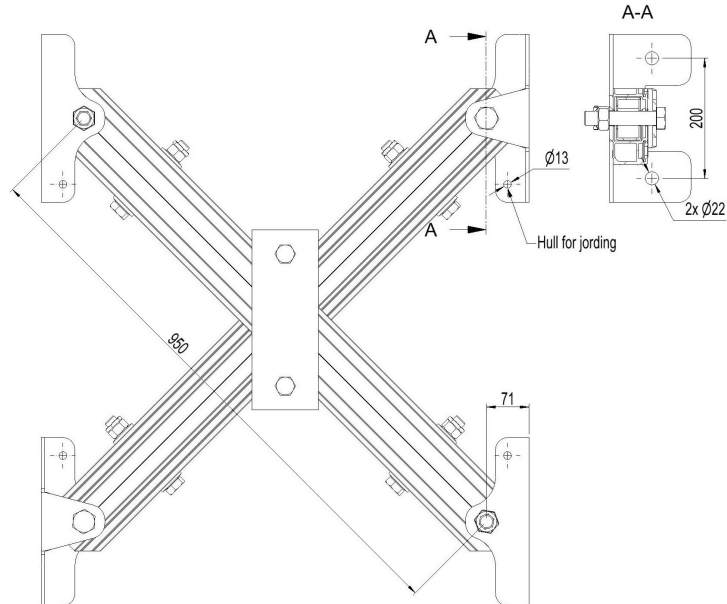


2857863 - Pole diagonal cross STK10



Description	Pole diagonal cross for wood and composite poles. Pole distance: 1m. Fixing bracket 2xØ22mm. Fasteners not included.
Unit	PSC
Weight	27 kg
Material	Aluminium, anodised-brown
Pole distance	1m
Crossbar profile	P1 (57,5x107)