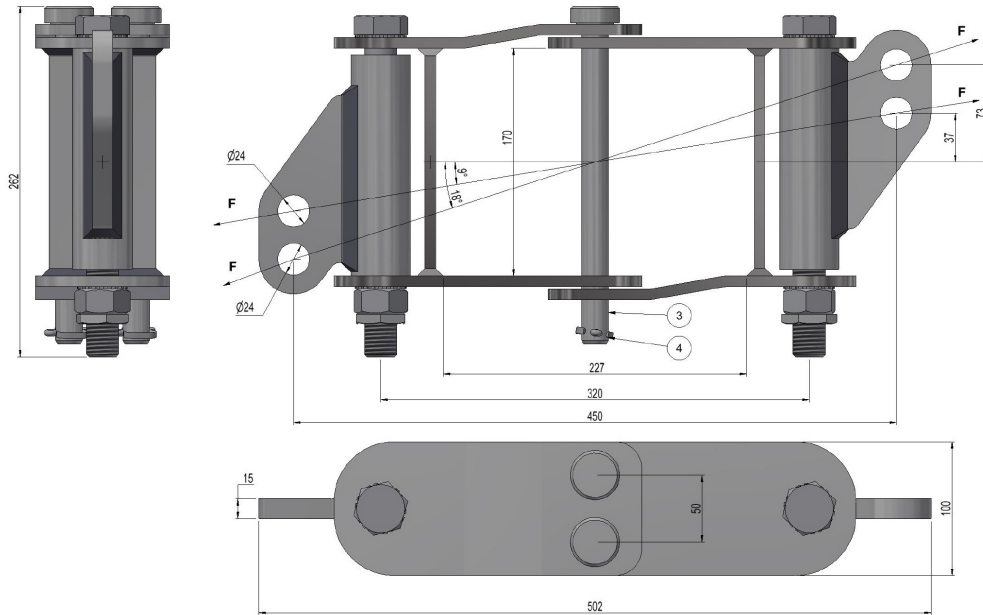


## 2857858 - Phase bracket F160TO



Description	Anchor bracket for steep line route. Two-sided. For crossbar P7, width 160. Unit set of 3.
Unit	SET
Weight	45,2 kg
Material	Steel galvanised
Hardness	Flag; 170HB