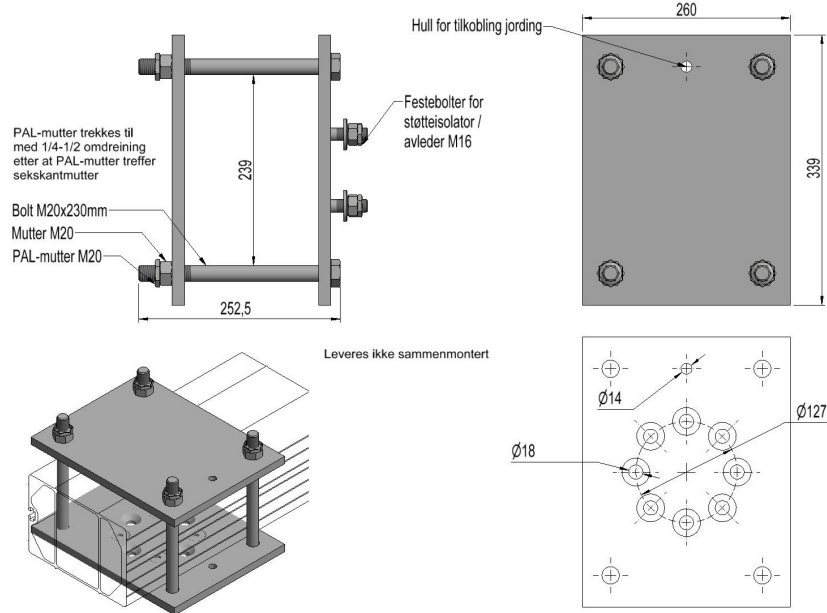


2857852 - Insulator bracket FAS160-127-4x16



<p>Description</p>	<p>Insulator bracket. For crossbar P8, width 160mm. For mounting of overvoltage surge arrester or insulator onto crossbar. Hole pattern Ø127, 4xM16. Other hole pattern on request.</p>
<p>Unit</p>	<p>PSC</p>
<p>Weight</p>	<p>9,3 kg</p>
<p>Material</p>	<p>Aluminium</p>