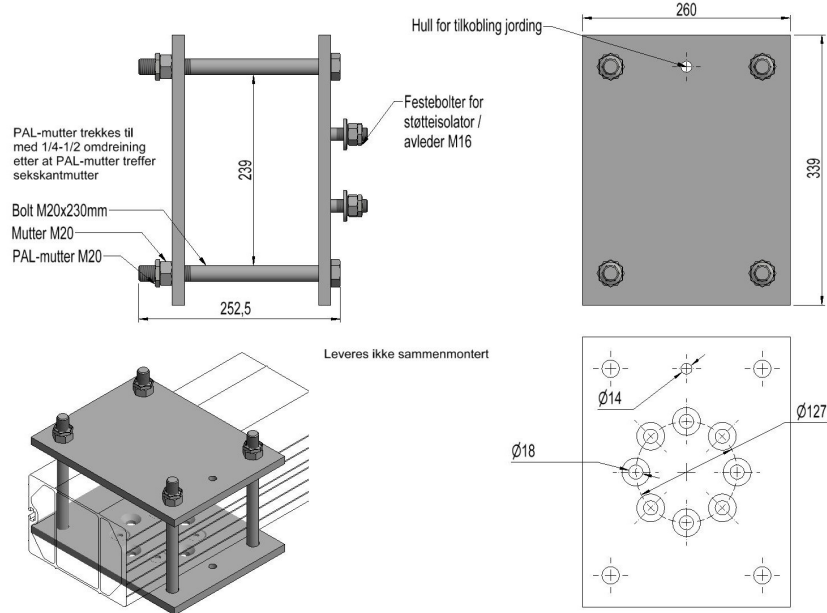


2857852 - Insulator bracket FAS160-127-4x16



| | |
|--------------------|---|
| <p>Description</p> | <p>Insulator bracket. For crossbar P8, width 160mm. For mounting of overvoltage surge arrester or insulator onto crossbar. Hole pattern Ø127, 4xM16. Other hole pattern on request.</p> |
| <p>Unit</p> | <p>PSC</p> |
| <p>Weight</p> | <p>9,3 kg</p> |
| <p>Material</p> | <p>Aluminium</p> |