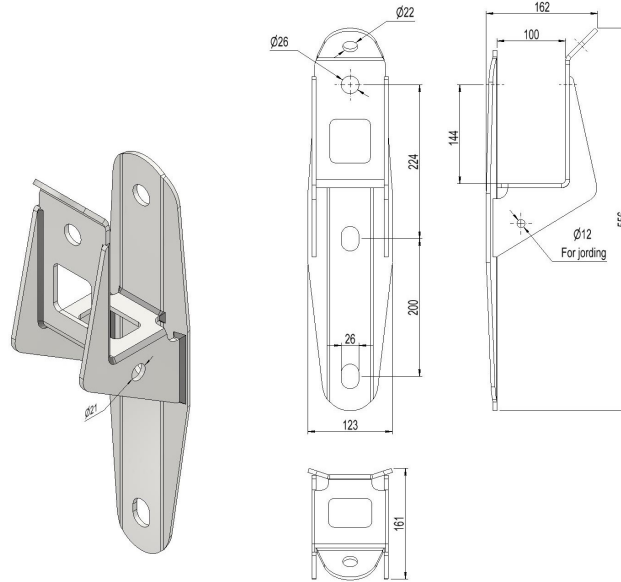


## 2837415 - Support bracket STB83



Description	Support for bolted connection. For crossbar profile 6 (width 83mm).
Unit	PSC
Weight	4,8 kg
Material	Steel galvanised
Pole fastening	Bolt with bolt sleeve