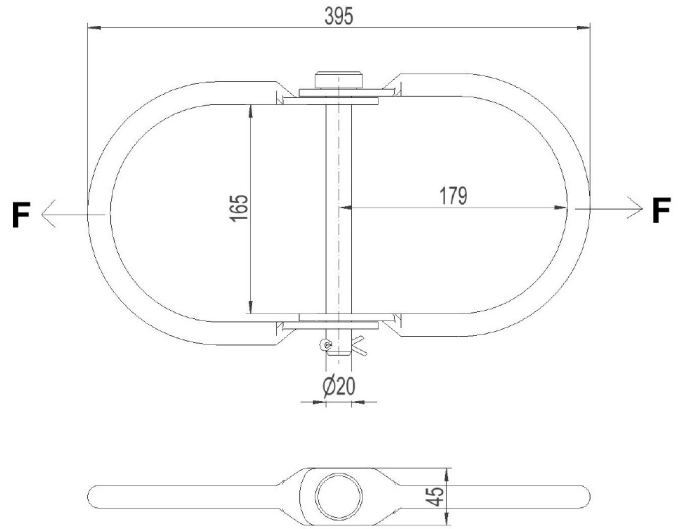
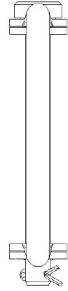


## 2836851 - Phase bracket B160-8T



Description	Phase stirrup bracket two-sided. Suits crossbar P3, P8, width 160.
Unit	SET
Weight	7,6 kg
Material	Steel galvanised
Breaking load (static)	115kN