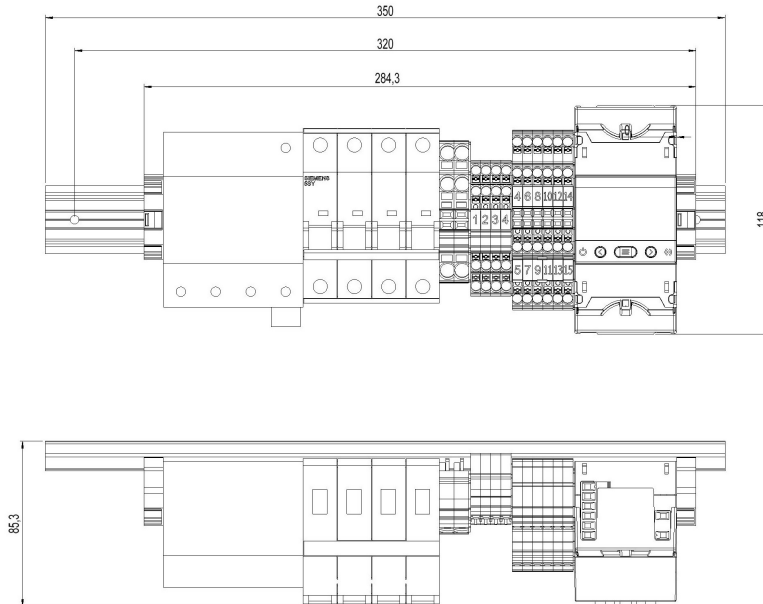
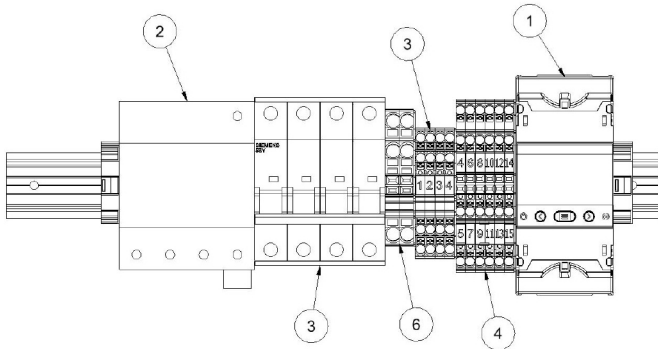


2836812 - Smartgrid module NSOSK-400TN-01



Description	Smartgrid module for network monitoring of 400V TN-power grid. With three-phase power analyzer and 3 flexible current transformers Ø125mm (rogowski coils).
Unit	PSC
Weight	2 kg
Material	Aluminium
Voltage/System configuration	400V TN-S
Fastening method	Wall



Bestyknng			
Pos.nr	Tag.nr i skjema	Matriell	Egenskaper
1	Q2	Nettanalysator	CVM-Mini-E3-FLEX for rogowski strmspoler Med RS485 Modbus Alarmutgang gir alarm ved fasespenning under 90V eller over 170V (FEF §5-2)
2	Q1	Overspenningsvern	Uc: 440V In: 20kA Im: 40kA Um: 2kV
3	X1	Rekkeklemmer	0,25-4mm ²
4	X1	Rekkeklemmer toetasjes	0,25-4mm ²
5	F1	Automatsikring	C-karr 10A 4-polet Icu=40kA/400V
6		Jordingsklemmer	0,5-10mm ²
			3 stk. fleksible Ø125 strmtransformatorer (Rogowski spoler)