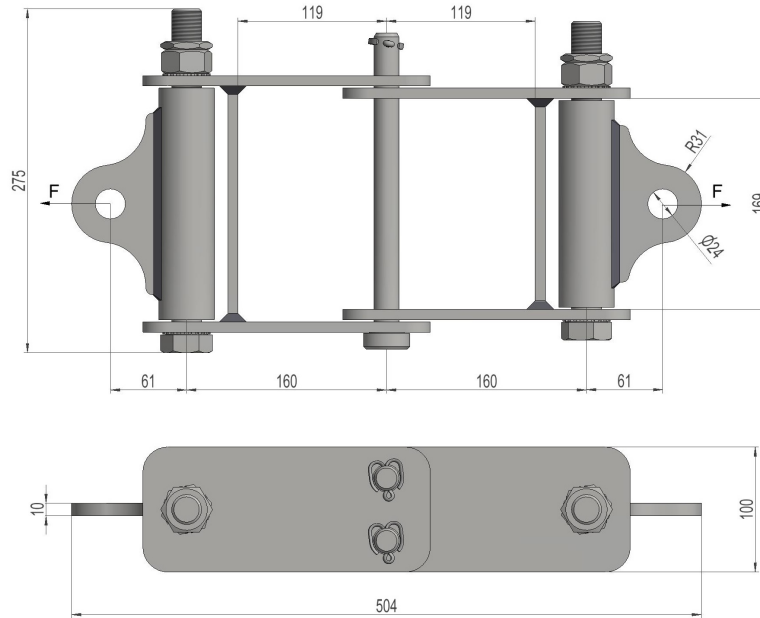


## 2836797 - Phase bracket F160T2



Description	Phase bracket . two-sided. For crossbar P7, width 160. Unit set of 2.
Unit	SET
Weight	24 kg
Material	Steel galvanised
Breaking load (static)	170kN
Hardness	Flag; 200HB