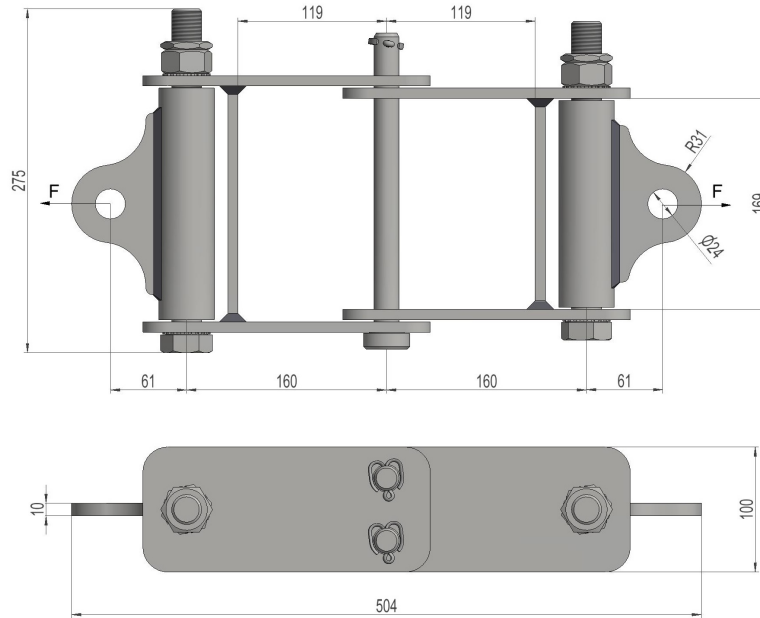


2836735 - Phase bracket F160T



Description	Anchor bracket . two-sided. For crossbar P7, width 160. Unit set of 3.
Unit	SET
Weight	48,2 kg
Material	Steel galvanised
Breaking load (static)	170kN
Hardness	Flag; 200HB