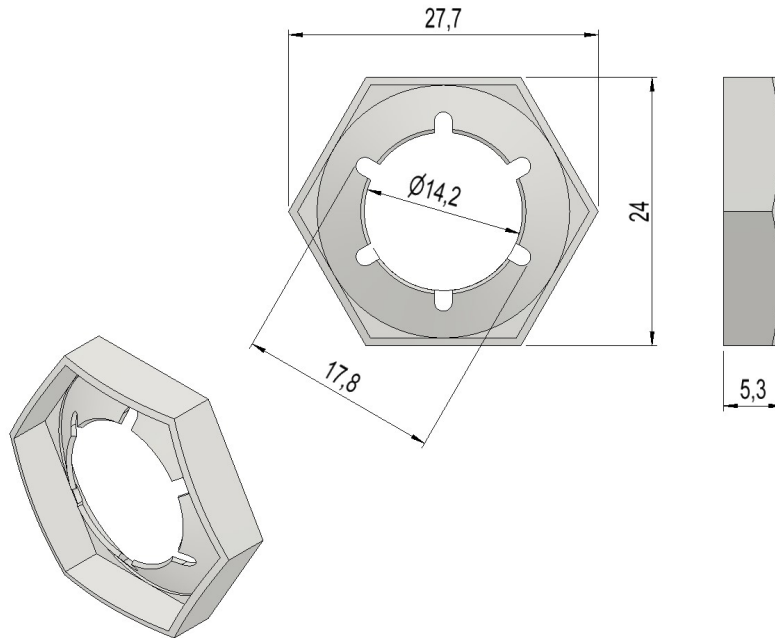


2836450 - Counter nut PAL-M16 DIN7967



| | |
|-------------|--|
| Description | Self locking counter nut to secure nuts. These are made of spring-like steel and is a better alternative than using regular nuts as counter nut. |
| Unit | PSC |
| Weight | 0,003 kg |
| Material | Steel galvanised |